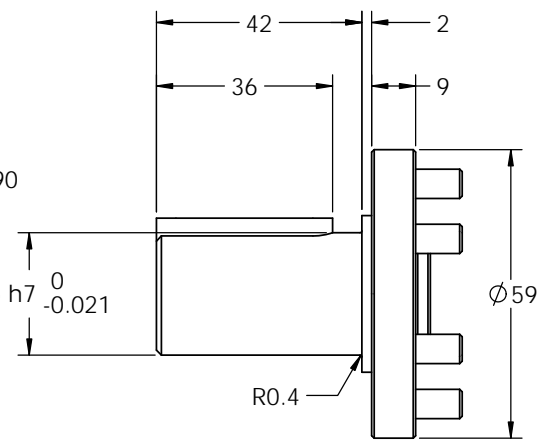
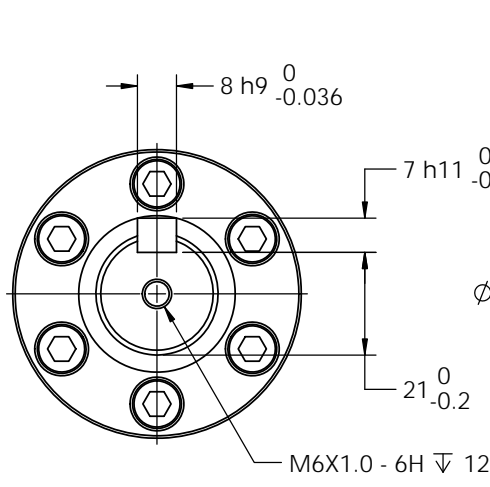
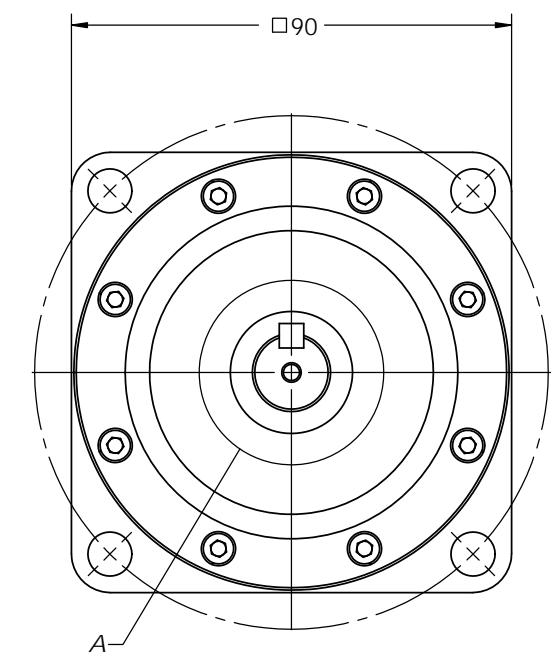
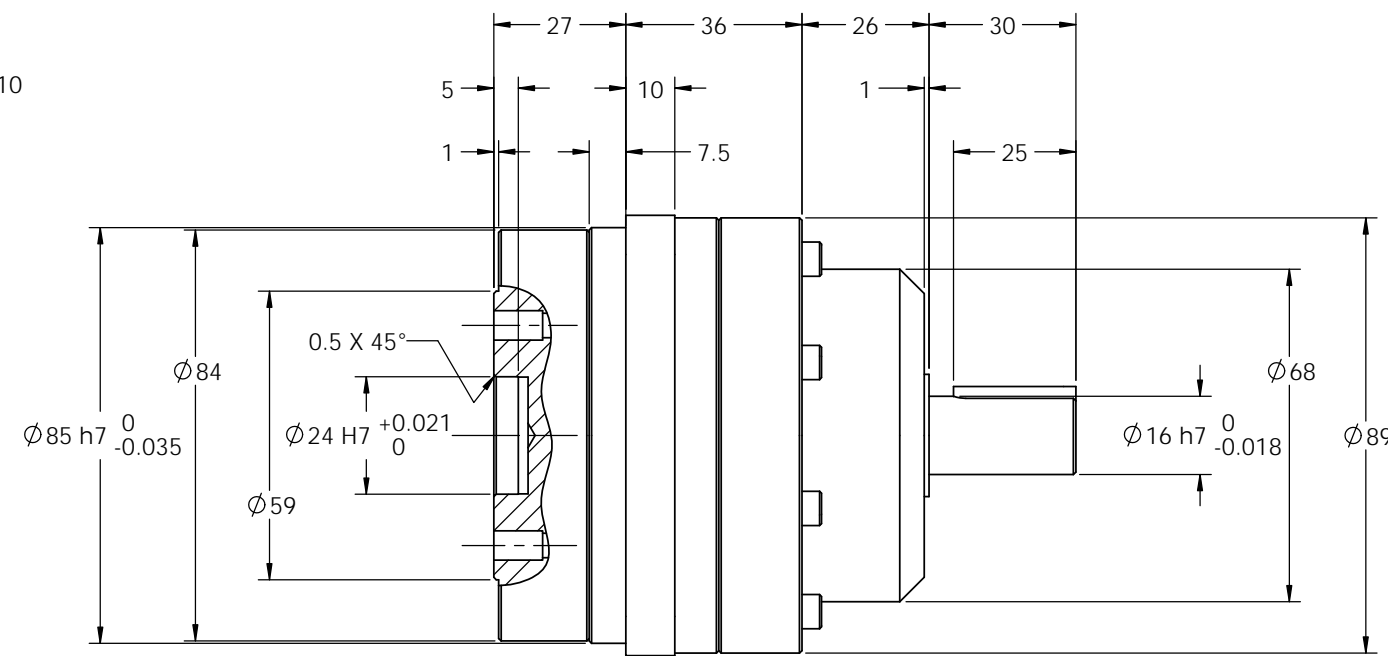
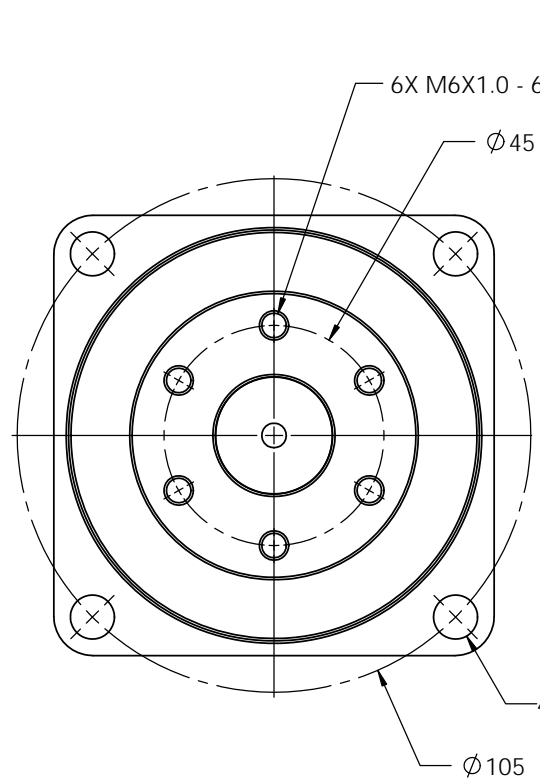
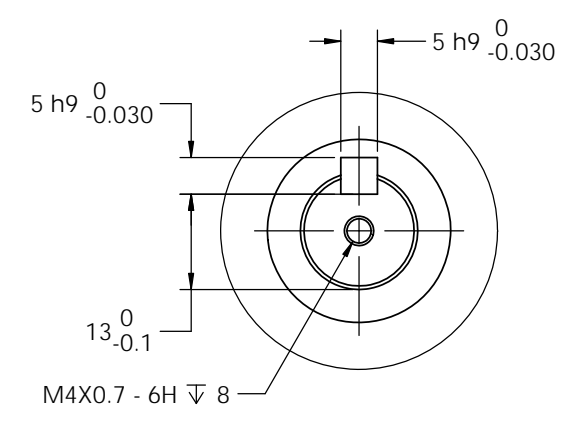


REVISIONS					
REV	ECA NO.	BY	CHKD	APPD	DATE
1	---				



OUTPUT CONFIGURATIONS	
-AA	DESCRIPTION
-F0	FLANGE ONLY
-J2	∅25mm PLAIN SHAFT
-J6	∅25mm SHAFT w/ KEY AND TAPPED HOLE



OUTPUT SHAFT VIEW  
-J6 CONFIGURATION SHOWN

DETAIL A  
INPUT SHAFT VIEW

NOTES:  
1. DESIGN AND/OR HANDLING MUST BE IN COMPLIANCE WITH TECHNICAL INFORMATION FOUND IN HD CATALOG.

PROPRIETARY AND CONFIDENTIAL THIS DRAWING CONTAINS VALUABLE CONFIDENTIAL AND PROPRIETARY TRADE SECRET INFORMATION OF HARMONIC DRIVE LLC. COPYING, DISCLOSING, OR USING THIS INFORMATION WITHOUT THE EXPRESS WRITTEN AUTHORIZATION OF HARMONIC DRIVE LLC IS PROHIBITED.	ISSUE DATE	
	CONTRACT NO.	
	DRAFTSMAN WTH	CHECKER
	MAT'L ENG	DESIGN ENG HDSI
	MFG. ENG.	QUALITY
MATERIAL:	SUBMITTED	
	SIMILAR TO	



**HARMONIC DRIVE LLC**  
247 LYNNFIELD STREET  
PEABODY MASS 01960-4905  
www.harmonicdrive.net

TITLE:  
**INSTALLATION DRAWING  
HPG-20A-XX-AAU1**

SIZE <b>C</b>	FSCM <b>34519</b>	DWG. NO. <b>HPG-20A-U1</b>	REV <b>1</b>
SCALE: 1:1	WEIGHT:	SHEET 1 OF 1	